

# CSM-Fab, Inc.

PO Box 448  
 5089 Rt. 60  
 Ceredo, WV 25507-0448  
 Phone: (304)429-6918  
 Fax: (304)429-6919

## Duct Construction Standards for S&D and TDC for 2" WG Pressure

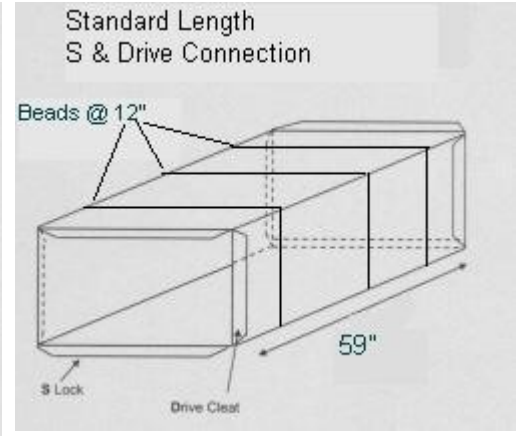
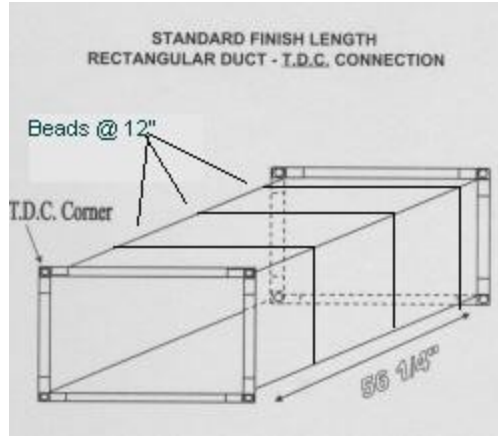
### CSM-Fab, Inc.

manufactures lined and unlined HVAC Duct from Galvanized metal, Stainless Steel, Paint Grip, aluminum and carbon steel according to SMACNA Standards our union facility. All rectangular duct is fabricated with stiffening beads using state of the art equipment.

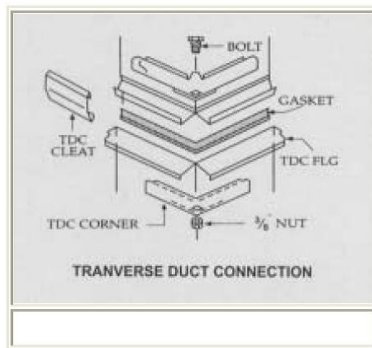
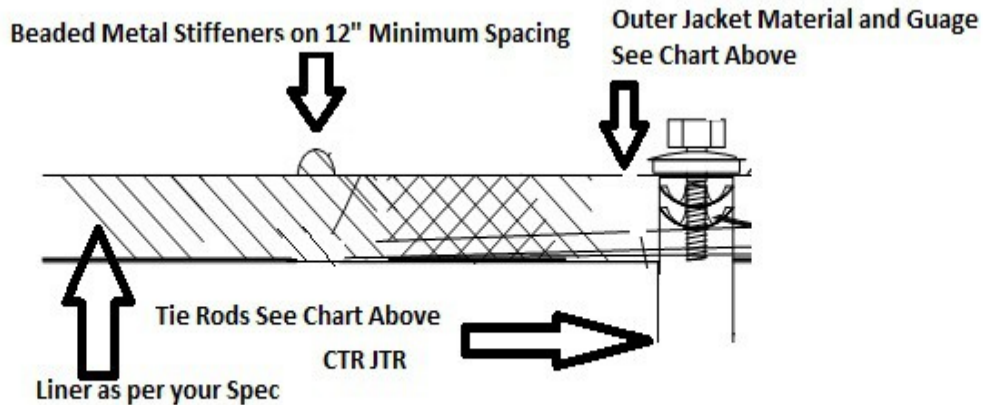
All 56&1/4" rectangular duct is fabricated with TDC seams formed directly into the metal to avoid leakage with TDC corners installed.

All 59" rectangular is S&D with all Flat S, Standing S and Drive included.

All duct and fittings are fabricated with Pittsburgh or welded as per your specifications and we can accommodate most any size of duct. All Fittings are fabricated in accordance with SMACNA standards with all accessories (TDC corners, Vane & Rail, etc.. Installed all nuts, bolts, gasket, Flat S, Standing S, Drive, and Cleat Gasket etc. included).



2" WG		RECTANGULAR DUCT CONSTRUCTION SCHEDULE			
WG					
POS.OR NEG	S & D 59" and under, TDC 56&1/4" and under STANDARD DUCTWORK				
DUCT DIMENSION	GAUGE	JOINT	CTR	JTR	
0-26	24	T-6	NONE	NONE	T-6 = HEMMED FLAT S-LOCK
27-30	24	T-11	NONE	NONE	T-11 = 1" STANDING S-LOCK
31-36	24	TDC	NONE	NONE	TDC = TRANSVERSE DUCT CONN
37-48	22	TDC	NONE	NONE	
49-60	24	TDC	YES	NONE	CTR=CENTER TIE ROD
61-72	20	TDC	YES	NONE	
73-84	22	TDC	YES	YES	JTR = JOINT TIE ROD
85-UP	20	TDC	YES	YES	



IN-SEAM SEALANT WHEN REQUIRED

